

# OPERATION MANUAL

## Digital humidity/temperature probe HYT131 with I<sup>2</sup>C Interface

**B+B**  
SENSORS

### Description



### Technical data

Humidity measurement	
Measuring range humidity	0...100% RH see figure 3
Accuracy humidity	±3% RH (20...80% RH) see figure 1
Reproducibility	±0,2% RH
Hysteresis	< ±2% RH
Resolution humidity	0,04% RH
Linearity error	< ±1% RH
Tk residual error	0,06% RH/K (0...60 °C)
Long-term drift	<0,5% RH/a
Measuring principle	Capacitive polymer humidity sensor

Temperature measurement	
Measuring range temperature	-20...+70 °C
Accuracy temperature	±0,4 °K (20...40 °C) see figure 2
Reproducibility	±0,1 K
Resolution temperature	0,03 °C
Long-term drift	<0,05 K/a
Measuring principle	PTA (integrated)

General	
Dimensions	(LxWxH) 23x10x8,3 mm
Current consumption	<22 µA at 1 Hz
Power supply	2,7...5,5 V DC
Material housing	Polycarbonate UL94V-2
Bearing temperature	0...+30 °C
CE-conformance	2014/30/EU
Electromagnetic compatibility	EN 61326 - 1:2013
Environmental data	RoHS compliant

Product extensions	
Humidity/Temperature measuring system with USB-interface Hytelog Multisensor with USB-connection cable and evaluation software	Art.Nr.: 0567 0001
Article 0567 0001 + 0636 0016 as a set	Art.Nr.: 0570 0004

### Features

- Measuring range 0...100% RH, -20...+70 °C
- Calibrated and temperature compensated
- Dimensions (LxWxH) 23x10x8,3 mm
- Accuracy ±3% RH, temperature ±0,4 °K
- Kompensated linearity error and temperature drift
- Operating voltage 2,7...5,5 V
- RoHs compliant

### Areas of application

- Hytelog Multisensor
- Temperature-/Humidity measuring in the air
- Measuring technologistsstechnik

### General

Embedded in a handy RJ12-housing the probe offers the perfect entry-level solution for measuring technology beginners by means of „plug and play“-method. The humidity/temperature probe is installed in a handy RJ12-plug and so has minimal dimensions for a probe.

The signal processing, which is integrated in the sensor, processes the measuring values completely and supplies the measurement results as a digital value via I<sup>2</sup>C-compatible interface. The probe is precisely calibrated and fully interchangeable without adjustment. The linearity error as well as the temperature drift are corrected by means of programming to create the most accurate measurement results. The probe is delivered in an ESD protection bag. It is ready for use after unpacking and can be connected to the Hytelog Multisensor.

On page 3 you can find a visual application description.

### Attention

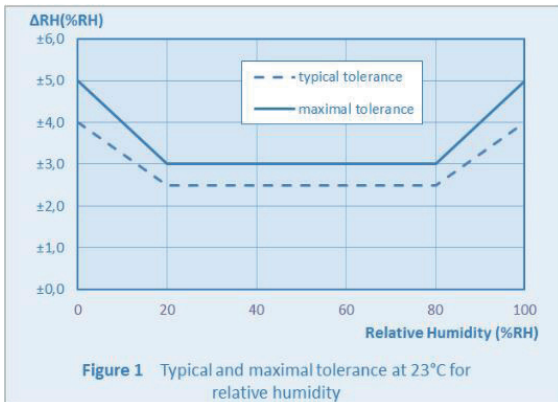
Please avoid extreme mechanical and inappropriate exposure. The device/product is not suitable for potential explosive areas and medical-technical applications.

# OPERATION MANUAL



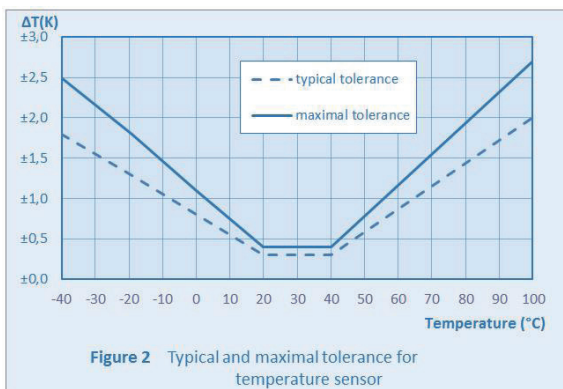
## Digital humidity/temperature probe HYT131 with I<sup>2</sup>C Interface

### Accuracy relative humidity measurement

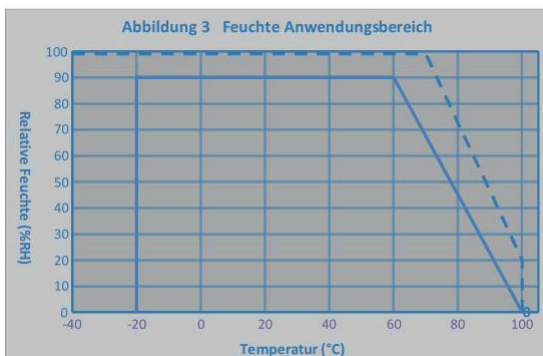


- (1) the accuracy is tested at 23 °C and 3,3 V operating voltage in the direction of rising humidity. The accuracy does not include Tk-residual error, residual linearity error or hysteresis effect.
- (2) The repeatability is measured in the same directin and does not consider the hysteresis effect.
- (3) The maximum dew point is brought down to 80 °C.

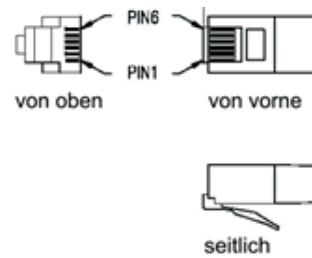
### Accuracy temperature measurement



### Humidity application area



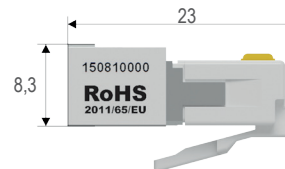
### Pin Assignment 6/6



RJ12	Function	
1	VDD	Supply Voltage 2,7...5,5 V
2	GND	Ground
3	SDA	Serial Data I <sup>2</sup> C
4	SCL	Serial Clock I <sup>2</sup> C
5	URH	RH Voltage Output
6	-	Not used

### Mechanical dimensions

#### Side view



#### Frontal view



Humidity/temperature probe with I <sup>2</sup> C-Interface	
Address 0x28	0636 0016
Address 0x2A	0636 0016-01
Address 0x29	0636 0016-02

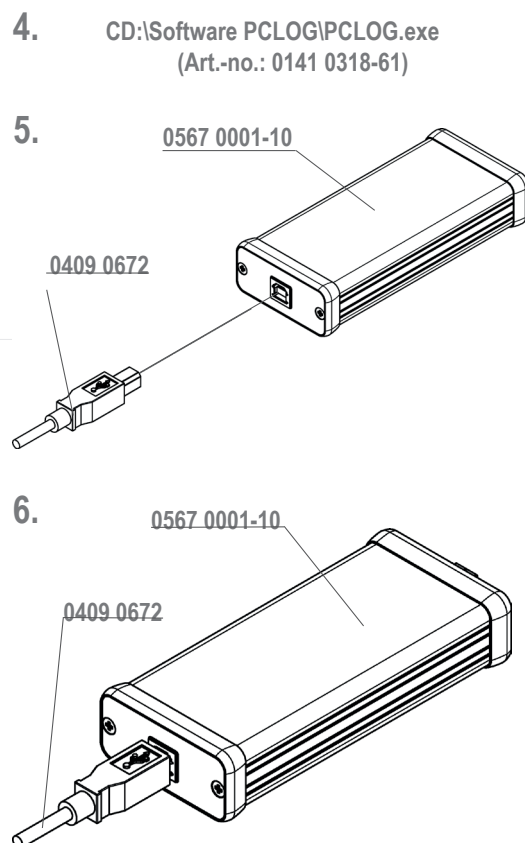
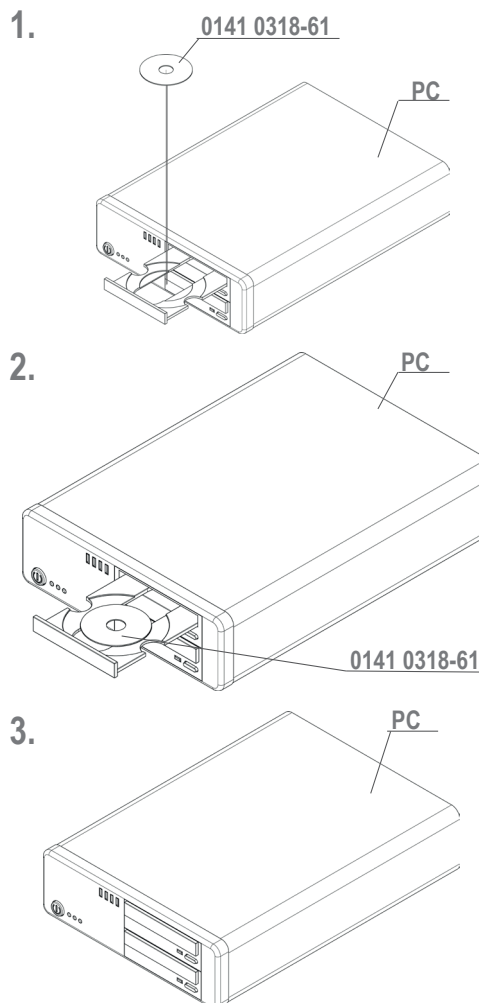
You can find the detailed datasheet on our homepage:  
Service&Support -> Downloads -> Data sheet HYT 131

# OPERATION MANUAL



## Digital humidity/temperature probe HYT131 with I<sup>2</sup>C Interface

Application description 0570 0004 (Set consisting of digital humidity/temperature probe 0636 0016 and humidity/temperature measuring system with connection cable and evaluation software 0567 0001)



# OPERATION MANUAL

## Digital humidity/temperature probe HYT131 with I<sup>2</sup>C Interface

