



CREATING MEASUREMENT SOLUTIONS



Pressure transmitter

CERTIFICATIONS



Certificate DIN EN ISO 9001 : 2015



ESD-Certificate DIN EN 61340-5-1



Accredited calibration laboratory  
nach DIN EN 17025

Deutsche  
Akkreditierungsstelle  
D-K-21102-01-00

TEMPERATURE | HUMIDITY | PRESSURE  
EVERYTHING FOR YOUR PRESSURE AS-  
SORTMENT FROM A SINGLE SOURCE

Pressure transmitter with cable ..... 04  
 Pressure transmitter with M12 connector ..... 06  
 Pressure transmitter with DIN valve connector ..... 08  
 Accessories ..... 10



**B+B Thermo-Technik** develops and manufactures innovative product and industry solutions with the highest quality expectations for your precise measuring tasks.

**B+B Thermo-Technik** has been developing and manufacturing high quality temperature probes since 1984. Closely associated with temperature measurement are the fields of humidity and pressure. This resulted in the company's programme to be expanded in 2011 to include solutions for both these specialist fields.

Simply take advantage of B+B's extensive experience and professional knowledge. B+B Thermo-Technik is located at Donaueschingen in south west Germany, and from here, its increasingly reputable products are sold all over the world.

With the aid of the latest research, development and production technologies and coupled with the certifications in accordance to DIN EN ISO 9001 : 2015 and DIN EN 61340-5-1, we are able to manufacture our products to the highest possible standards. Of course, we also offer our customers the added service of issuing test certificates within our own calibration laboratory.

probes, thermocouple connectors, humidity probes and pressure sensors are predominantly manufactured in Germany or in 100% owned subsidiaries worldwide.

This assures continual quality control, flexible reactions to both the customer's requirements and modifications, and being able to deliver promptly.

Customer - specific construction

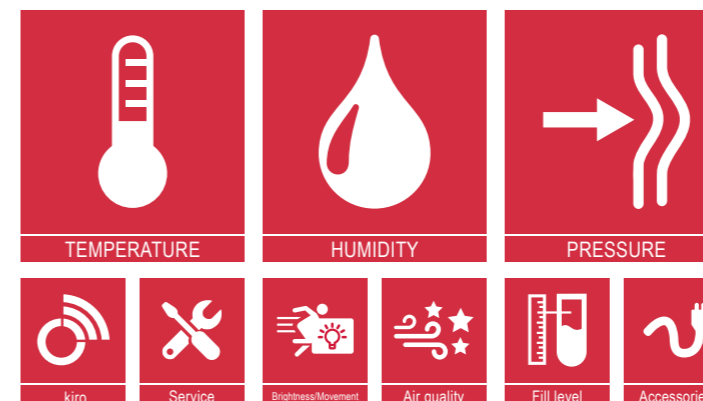
Please specify your application and we shall supply you the right product for measuring and controlling the temperature, pressure or humidity. Special emphasis is always placed on professional and close cooperation with you, thus allowing for the optimal development of your product. Our experience shows that this partnership also creates innovative concepts and fresh ideas, thereby providing new energy for the future, which is vital for both parties.

Both quality and working closely together with the customer are integral parts of B+B's corporate philosophy. This is why B+B temperature



Scan directly to the B+B online shop.  
Secure the products online with just a few clicks.

DELIVERY PROGRAMME



## Pressure transmitter with connection cable

### Description



Technical data	
Pressure measuring range	-1...+100 bar (relative), 0...+50 bar (absolute)
Sensor pressure	ceramic Al2O3
Pressure measuring variant	relative or absolute
Remaining error linearity / hysteresis	< ±0,4% FSR
Process connection	G1/4" or G1/2" outside thread
Electrical connection	Cables with free ends / specific plugs
Housing material	Stainless steel 1.4305
Cable construction	PVC/shield/PVC, 4 x 0,14 mm <sup>2</sup>
Cable length	2000 mm
Outer diameter pipe	3,9 mm
Output signal	Digital I <sup>2</sup> C, analogical 0...10 V / 4...20 mA / ratiometric
Power supply	+12...+30 V DC
Ambient temperature	-20 °C...+80 °C
Media temperature	-40 °C...+125 °C
Protection category	IP67 process side
Environmental data	RoHs compliant



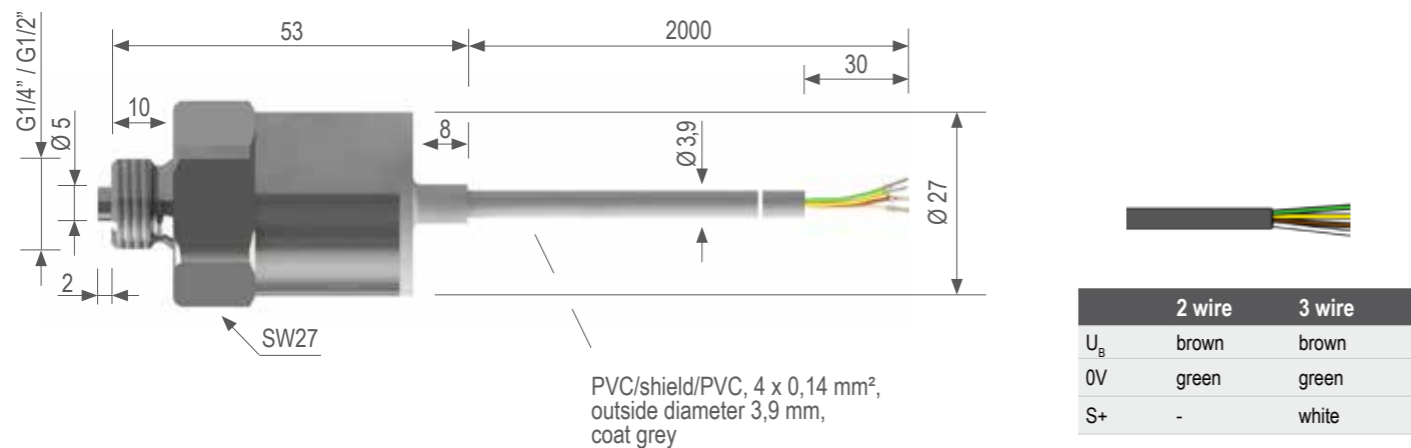
#### Performance features:

- Best price-performance-ratio
- Aluminium and stainless steel versions
- Absolute and relative pressure variants
- Optional bucking protection at the line crossing
- Customer-specific options possible

#### Areas of application:

- Respiratory and anaesthesia equipment
- Dialysis and infusion devices
- Laboratory equipment and insufflators

### Dimensions



## Pressure transmitter with connection cable

Absolute pressure	Pressure range in bar	Process connection	Product number for output signal		
			0 ... 10 V	4 ... 20 mA	I <sup>2</sup> C
0-1	G1/2"		0550 2182-001	0550 2282-001	0550 2382-001
	G1/4"		0550 2192-001	0550 2292-001	0550 2392-001
0-2	G1/2"		0550 2182-002	0550 2282-002	0550 2382-002
	G1/4"		0550 2192-002	0550 2292-002	0550 2392-002
0-5	G1/2"		0550 2182-003	0550 2282-003	0550 2382-003
	G1/4"		0550 2192-003	0550 2292-003	0550 2392-003
0-10	G1/2"		0550 2182-004	0550 2282-004	0550 2382-004
	G1/4"		0550 2192-004	0550 2292-004	0550 2392-004
0-20	G1/2"		0550 2182-005	0550 2282-005	0550 2382-005
	G1/4"		0550 2192-005	0550 2292-005	0550 2392-005
0-50	G1/2"		0550 2182-006	0550 2282-006	0550 2382-006
	G1/4"		0550 2192-006	0550 2292-006	0550 2392-006

Relative pressure	Pressure range in bar	Process connection	Product number for output signal		
			0 ... 10 V	4 ... 20 mA	I <sup>2</sup> C
-1-1	G1/2"		0550 1182-001	0550 1282-001	0550 1382-001
	G1/4"		0550 1192-001	0550 1292-001	0550 1392-001
0-1	G1/2"		0550 1182-002	0550 1282-002	0550 1382-002
	G1/4"		0550 1192-002	0550 1292-002	0550 1392-002
0-1,6	G1/2"		0550 1182-003	0550 1282-003	0550 1382-003
	G1/4"		0550 1192-003	0550 1292-003	0550 1392-003
0-2,5	G1/2"		0550 1182-004	0550 1282-004	0550 1382-004
	G1/4"		0550 1192-004	0550 1292-004	0550 1392-004
0-4	G1/2"		0550 1182-005	0550 1282-005	0550 1382-005
	G1/4"		0550 1192-005	0550 1292-005	0550 1392-005
0-6	G1/2"		0550 1182-006	0550 1282-006	0550 1382-006
	G1/4"		0550 1192-006	0550 1292-006	0550 1392-006
0-10	G1/2"		0550 1182-007	0550 1282-007	0550 1382-007
	G1/4"		0550 1192-007	0550 1292-007	0550 1392-007
0-16	G1/2"		0550 1182-008	0550 1282-008	0550 1382-008
	G1/4"		0550 1192-008	0550 1292-008	0550 1392-008
0-25	G1/2"		0550 1182-009	0550 1282-009	0550 1382-009
	G1/4"		0550 1192-009	0550 1292-009	0550 1392-009
0-40	G1/2"		0550 1182-010	0550 1282-010	0550 1382-010
	G1/4"		0550 1192-010	0550 1292-010	0550 1392-010
0-60	G1/2"		0550 1182-011	0550 1282-011	0550 1382-011
	G1/4"		0550 1192-011	0550 1292-011	0550 1392-011
0-100	G1/2"		0550 1182-012	0550 1282-012	0550 1382-012
	G1/4"		0550 1192-012	0550 1292-012	0550 1392-012

Customer-specific process connections and higher measurement ranges up to 600 bar on request.

## Pressure transmitter with M12 connection

### Description



### Technical data

Pressure measuring range	-1...+100 bar (relative), 0...+50 bar (absolute)
Sensor pressure	ceramic Al2O3
Pressure measuring variant	Relative or absolute
Remaining error linearity / hysteresis	< ±0,4% FSR
Process connection	G1/4" or G1/2" outside thread
Electrical connection	M12, 4-pole
Housing material	Stainless steel 1.4305
Output signal	Digital I <sup>2</sup> C, analogical 0...10 V / 4...20 mA / ratiometric
Power supply	+12...+30 V DC
Ambient temperature	-20 °C...+80 °C
Media temperature	-40 °C...+125 °C
Protection category	Absolute pressure to IP67 when plugged in
Environmental data	RoHs compliant



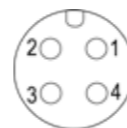
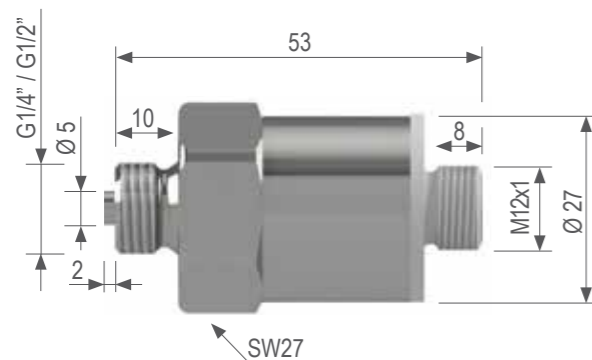
### Performance features:

- Standard industrial connector M12
- Robust, media-resistant industrial design made of stainless steel
- Absolute and relative pressure variants
- Toolless assembly and easy to maintain
- Protection class IP67 when plugged in
- Customer-specific options possible

### Areas of application:

- Respiratory and anaesthesia equipment
- Laboratory equipment and insufflators
- Pneumatic applications

### Dimensions



	2 wire	3 wire
U <sub>B</sub>	1	1
0V	3	3
S+	-	4

## Pressure transmitter with M12 connection

Pressure range in bar	Process connection	Product number for output signal		
		0 ... 10 V	4 ... 20 mA	I <sup>2</sup> C
<b>0-1</b>	G1/2"	0550 2180-001	0550 2280-001	0550 2380-001
	G1/4"	0550 2190-001	0550 2290-001	0550 2390-001
<b>0-2</b>	G1/2"	0550 2180-002	0550 2280-002	0550 2380-002
	G1/4"	0550 2190-002	0550 2290-002	0550 2390-002
<b>0-5</b>	G1/2"	0550 2180-003	0550 2280-003	0550 2380-003
	G1/4"	0550 2190-003	0550 2290-003	0550 2390-003
<b>0-10</b>	G1/2"	0550 2180-004	0550 2280-004	0550 2380-004
	G1/4"	0550 2190-004	0550 2290-004	0550 2390-004
<b>0-20</b>	G1/2"	0550 2180-005	0550 2280-005	0550 2380-005
	G1/4"	0550 2190-005	0550 2290-005	0550 2390-005
<b>0-50</b>	G1/2"	0550 2180-006	0550 2280-006	0550 2380-006
	G1/4"	0550 2190-006	0550 2290-006	0550 2390-006

Pressure range in bar	Process connection	Product number for output signal		
		0 ... 10 V	4 ... 20 mA	I <sup>2</sup> C
<b>-1-1</b>	G1/2"	0550 1180-001	0550 1280-001	0550 1380-001
	G1/4"	0550 1190-001	0550 1290-001	0550 1390-001
<b>0-1</b>	G1/2"	0550 1180-002	0550 1280-002	0550 1380-002
	G1/4"	0550 1190-002	0550 1290-002	0550 1390-002
<b>0-1,6</b>	G1/2"	0550 1180-003	0550 1280-003	0550 1380-003
	G1/4"	0550 1190-003	0550 1290-003	0550 1390-003
<b>0-2,5</b>	G1/2"	0550 1180-004	0550 1280-004	0550 1380-004
	G1/4"	0550 1190-004	0550 1290-004	0550 1390-004
<b>0-4</b>	G1/2"	0550 1180-005	0550 1280-005	0550 1380-005
	G1/4"	0550 1190-005	0550 1290-005	0550 1390-005
<b>0-6</b>	G1/2"	0550 1180-006	0550 1280-006	0550 1380-006
	G1/4"	0550 1190-006	0550 1290-006	0550 1390-006
<b>0-10</b>	G1/2"	0550 1180-007	0550 1280-007	0550 1380-007
	G1/4"	0550 1190-007	0550 1290-007	0550 1390-007
<b>0-16</b>	G1/2"	0550 1180-008	0550 1280-008	0550 1380-008
	G1/4"	0550 1190-008	0550 1290-008	0550 1390-008
<b>0-25</b>	G1/2"	0550 1180-009	0550 1280-009	0550 1380-009
	G1/4"	0550 1190-009	0550 1290-009	0550 1390-009
<b>0-40</b>	G1/2"	0550 1180-010	0550 1280-010	0550 1380-010
	G1/4"	0550 1190-010	0550 1290-010	0550 1390-010
<b>0-60</b>	G1/2"	0550 1180-011	0550 1280-011	0550 1380-011
	G1/4"	0550 1190-011	0550 1290-011	0550 1390-011
<b>0-100</b>	G1/2"	0550 1180-012	0550 1280-012	0550 1380-012
	G1/4"	0550 1190-012	0550 1290-012	0550 1390-012

Customer-specific process connections and higher measurement ranges up to 600 bar on request.

## Pressure transmitter with DIN valve plug

### Description



### Technical data

Pressure measuring range	-1...+100 bar (relative), 0...+50 bar (absolute)
Sensor pressure	ceramic Al2O3
Pressure measuring variant	Relative or absolute
Remaining error linearity / hysteresis	< ±0,4% FSR
Process connection	G1/4" or G1/2" outside thread
Electrical connection	Magnetic valve plug according to DIN 43650, DIN plug 4-pole
Housing material	Stainless steel 1.4305
Output signal	Digital I <sup>2</sup> C, analogical 0...10 V / 4...20 mA / ratiometric
Power supply	+12...+30 V DC
Ambient temperature	-20 °C...+80 °C
Media temperature	-40 °C...+125 °C
Protection category	Absolute pressure to IP67 process side
Environmental data	RoHs compliant



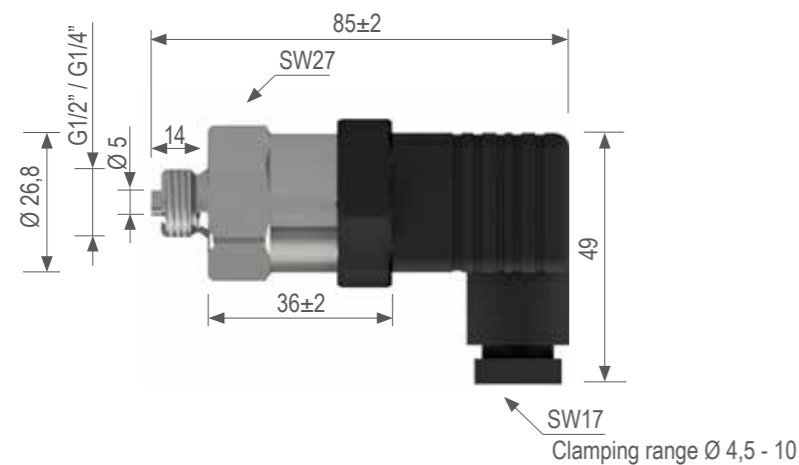
### Performance features:

- DIN-Valve plug 4 Pol.
- Robust and Maintenance
- Absolute and relative pressure variants
- Protection class IP67 process side
- Best price-performance-ratio

### Areas of application:

- Respiratory and anaesthesia equipment
- Laboratory equipment and insufflators
- Pneumatic applications

### Dimensions



	2 wire	3 wire
U <sub>B</sub>	1	1
0V	2	2
S+	-	3

## Pressure transmitter with DIN valve plug

Pressure range in bar	Prozess connection	Product number for output signal		
		0 ... 10 V	4 ... 20 mA	I <sup>2</sup> C
<b>0-1</b>	G1/2"	0550 2181-001	0550 2281-001	0550 2381-001
	G1/4"	0550 2191-001	0550 2291-001	0550 2391-001
<b>0-2</b>	G1/2"	0550 2181-002	0550 2281-002	0550 2381-002
	G1/4"	0550 2191-002	0550 2291-002	0550 2391-002
<b>0-5</b>	G1/2"	0550 2181-003	0550 2281-003	0550 2381-003
	G1/4"	0550 2191-003	0550 2291-003	0550 2391-003
<b>0-10</b>	G1/2"	0550 2181-004	0550 2281-004	0550 2381-004
	G1/4"	0550 2191-004	0550 2291-004	0550 2391-004
<b>0-20</b>	G1/2"	0550 2181-005	0550 2281-005	0550 2381-005
	G1/4"	0550 2191-005	0550 2291-005	0550 2391-005
<b>0-50</b>	G1/2"	0550 2181-006	0550 2281-006	0550 2381-006
	G1/4"	0550 2191-006	0550 2291-006	0550 2391-006

Pressure range in bar	Prozess connection	Product number for output signal		
		0 ... 10 V	4 ... 20 mA	I <sup>2</sup> C
<b>-1-1</b>	G1/2"	0550 1181-001	0550 1281-001	0550 1381-001
	G1/4"	0550 1191-001	0550 1291-001	0550 1391-001
<b>0-1</b>	G1/2"	0550 1181-002	0550 1281-002	0550 1381-002
	G1/4"	0550 1191-002	0550 1291-002	0550 1391-002
<b>0-1,6</b>	G1/2"	0550 1181-003	0550 1281-003	0550 1381-003
	G1/4"	0550 1191-003	0550 1291-003	0550 1391-003
<b>0-2,5</b>	G1/2"	0550 1181-004	0550 1281-004	0550 1381-004
	G1/4"	0550 1191-004	0550 1291-004	0550 1391-004
<b>0-4</b>	G1/2"	0550 1181-005	0550 1281-005	0550 1381-005
	G1/4"	0550 1191-005	0550 1291-005	0550 1391-005
<b>0-6</b>	G1/2"	0550 1181-006	0550 1281-006	0550 1381-006
	G1/4"	0550 1191-006	0550 1291-006	0550 1391-006
<b>0-10</b>	G1/2"	0550 1181-007	0550 1281-007	0550 1381-007
	G1/4"	0550 1191-007	0550 1291-007	0550 1391-007
<b>0-16</b>	G1/2"	0550 1181-008	0550 1281-008	0550 1381-008
	G1/4"	0550 1191-008	0550 1291-008	0550 1391-008
<b>0-25</b>	G1/2"	0550 1181-009	0550 1281-009	0550 1381-009
	G1/4"	0550 1191-009	0550 1291-009	0550 1391-009
<b>0-40</b>	G1/2"	0550 1181-010	0550 1281-010	0550 1381-010
	G1/4"	0550 1191-010	0550 1291-010	0550 1391-010
<b>0-60</b>	G1/2"	0550 1181-011	0550 1281-011	0550 1381-011
	G1/4"	0550 1191-011	0550 1291-011	0550 1391-011
<b>0-100</b>	G1/2"	0550 1181-012	0550 1281-012	0550 1381-012
	G1/4"	0550 1191-012	0550 1291-012	0550 1391-012

Customer-specific process connections and higher measurement ranges up to 600 bar on request.

## Accessories

### Pressure sensor module

#### Description



#### Technical data

Pressure measuring range	-1...+16 bar
Sensor pressure	Pressure measuring cell ceramic
Pressure measuring variant	Relative
Remaining error linearity / hysteresis	< ±0,3% FSR
Media connection	Hose closure 6/4 mm
Electrical connection	5-pole pin bar, RM 2,54 mm
Housing material	Aluminium
Output signal	Digital I <sup>2</sup> C, analogical 0...5 V DC
Power supply	+6...+15 V DC
Environmental data	RoHs compliant

#### Technical data

Pressure measuring range	0...+2 bar
Sensor pressure	Pressure measuring cell piezoresistive
Pressure measuring variant	Absolute, difference
Remaining error linearity / hysteresis	< ±0,3% FSR
Media connection	Hose closure 6/4 mm
Electrical connection	5-pole pin bar, RM 2,54 mm
Output signal	Digital I <sup>2</sup> C, analogical 0...5 V DC
Power supply	+6...+15 V DC
Environmental data	RoHs compliant

Relative pressure	Pressure range in bar	Sensor	Product number
	<b>-1-0</b>	Pressure measuring cell ceramic	DRMOD-I <sup>2</sup> C-RV0
	<b>-1-1</b>	Pressure measuring cell ceramic	DRMOD-I <sup>2</sup> C-RV1
	<b>0-1,6</b>	Pressure measuring cell ceramic	DRMOD-I <sup>2</sup> C-R1B6
	<b>0-2,5</b>	Pressure measuring cell ceramic	DRMOD-I <sup>2</sup> C-R2B5
	<b>0-4</b>	Pressure measuring cell ceramic	DRMOD-I <sup>2</sup> C-R4B
	<b>0-6</b>	Pressure measuring cell ceramic	DRMOD-I <sup>2</sup> C-R6B
	<b>0-10</b>	Pressure measuring cell ceramic	DRMOD-I <sup>2</sup> C-R10B
<b>0-16</b>	Pressure measuring cell ceramic	DRMOD-I <sup>2</sup> C-R16B	

Absolute pressure	Pressure range in mbar	Sensor	Product number
	<b>100-110 kPa, 100-1100</b>	Pressure measuring cell piezoresistive	DRMOD-I <sup>2</sup> C-PA1B1

Differential	Pressure range in mbar	Sensor	Product number
	<b>0-10 kPa, 0-100</b>	Pressure measuring cell, piezoresistive	DRMOD-I <sup>2</sup> C-PD0B1
	<b>0-50 kPa, 0-500</b>	Pressure measuring cell, piezoresistive	DRMOD-I <sup>2</sup> C-PD0B5
	<b>0-100 kPa, 0-1000</b>	Pressure measuring cell, piezoresistive	DRMOD-I <sup>2</sup> C-PD1B1
<b>0-200 kPa, 0-2000</b>	Pressure measuring cell, piezoresistive	DRMOD-I <sup>2</sup> C-PD2B	

## Accessories

### Pressure equalization membrane

#### Description



#### Technical data

Application	-37...+121 °C
Pressure of water	> 1 bar, ASTM D751
Material	PTFE
Oil repellent	class 8 (Scale 0 to 8), AATCC 118-1992
Depth	0,13 mm
Pore size	0,7 µm
Outer diameter	6,7 - 17 mm
Inner diameter	5,3 - 13 mm
Protection category	IP67
Packing unit	12 Pieces

#### Pressure equalization membrane

#### Product number

Ø AD 6,7 / ID 5,3	DAM-AD7
Ø AD 10,2 / ID 5,5	DAM-AD10
Ø AD 12,7 / ID 7,1	DAM-AD12
Ø AD 17 / ID 13	DAM-AD17

✉ B+B Thermo-Technik GmbH  
Heinrich-Hertz-Str. 4  
D-78166 Donaueschingen  
☎ Fon +49 771 83160  
☎ Fax +49 771 831650

@ info@bb-sensors.com  
🌐 bb-sensors.com  
🛒 shop.bb-sensors.com

